



HORIZONTAL STAND












INSTALLATION GUIDE

www.mitoredlight.com

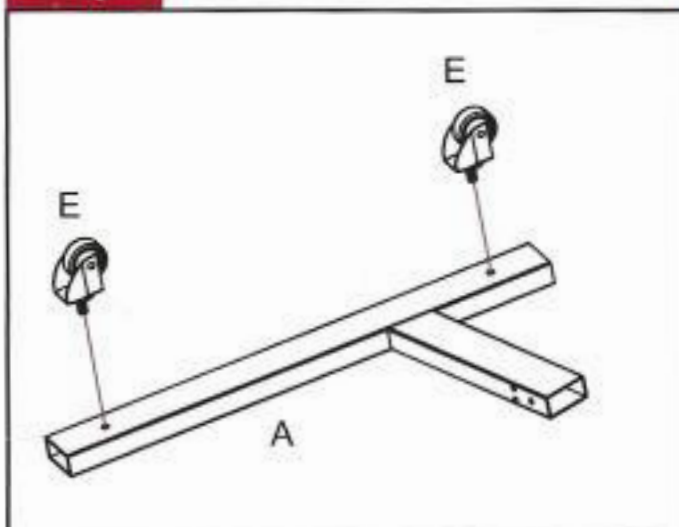
HORIZONTAL STAND INSTALLATION GUIDE

⚠ WARNING:

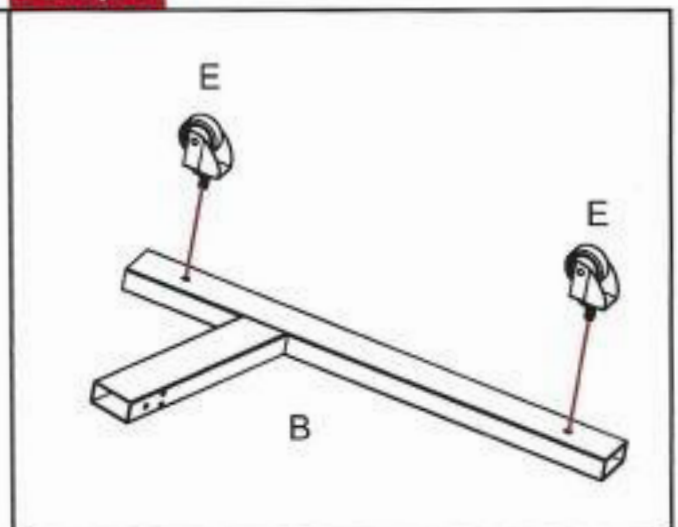
1. Multi-functional and professional mobile stand for LED red light therapy.
2. Maximum load capacity: 40KG/79.
3. Do not use this product for any other things than the original design.
4. This product contains moving parts, please use it with caution.
5. We do not cover the following damages: product been modified, improper installation or use over the specified weight range, nature caused damage.

				
A x1	B x1	C x1	D x1	E x4
				
F x2		G x2	H x1	
				
		I x3 (M6*55)	J x25 (M6*8)	K x1

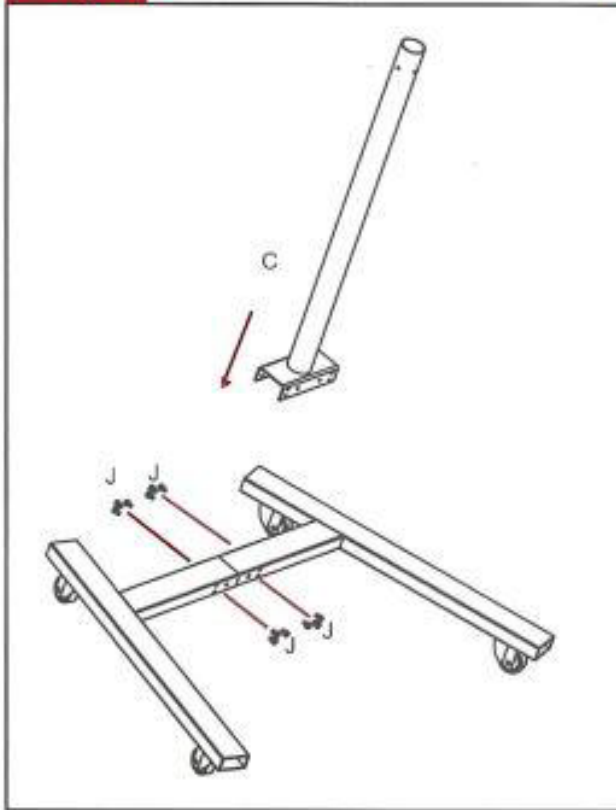
Step1



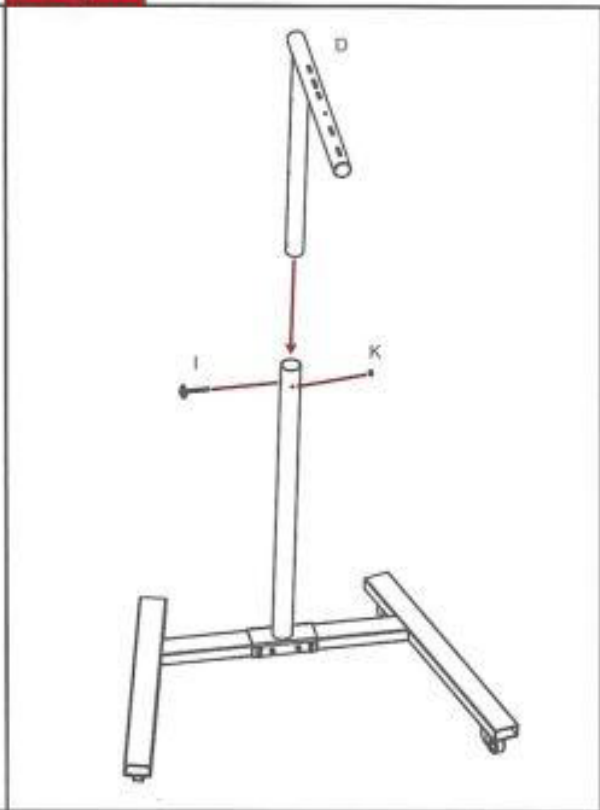
Step2



Step3

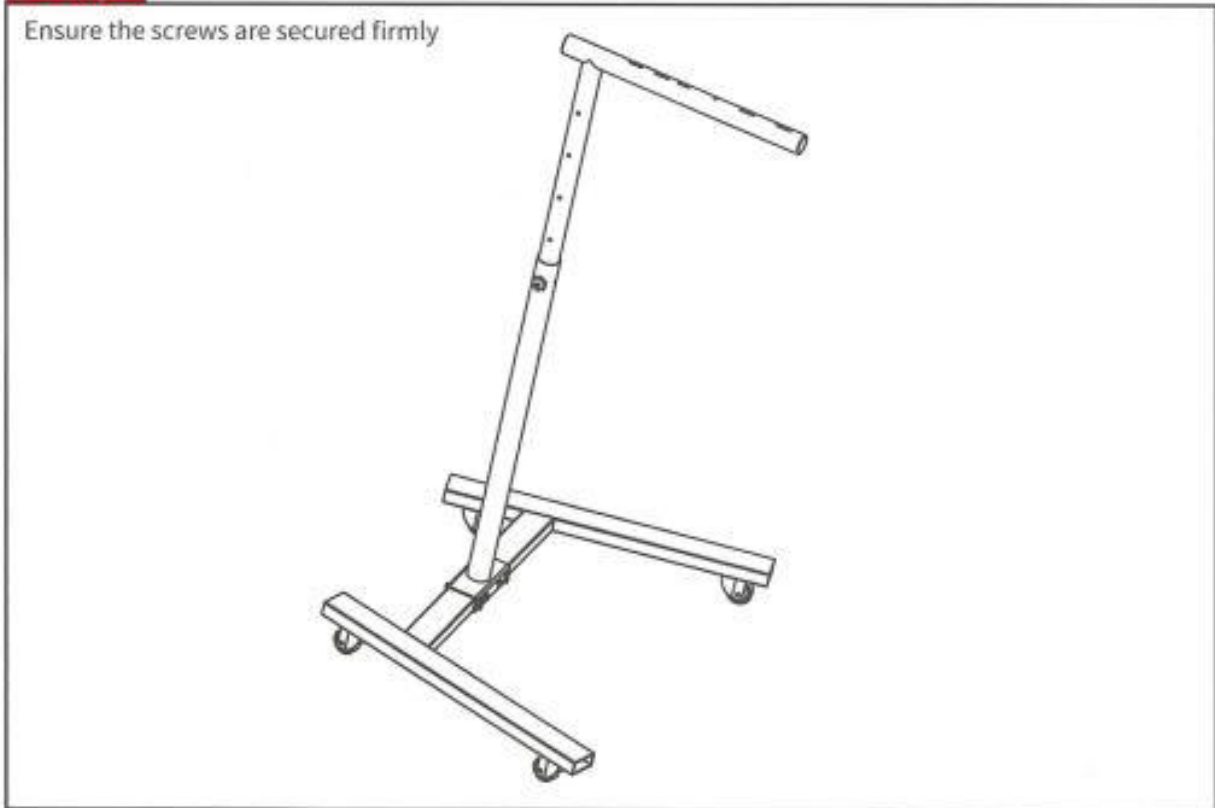


Step4

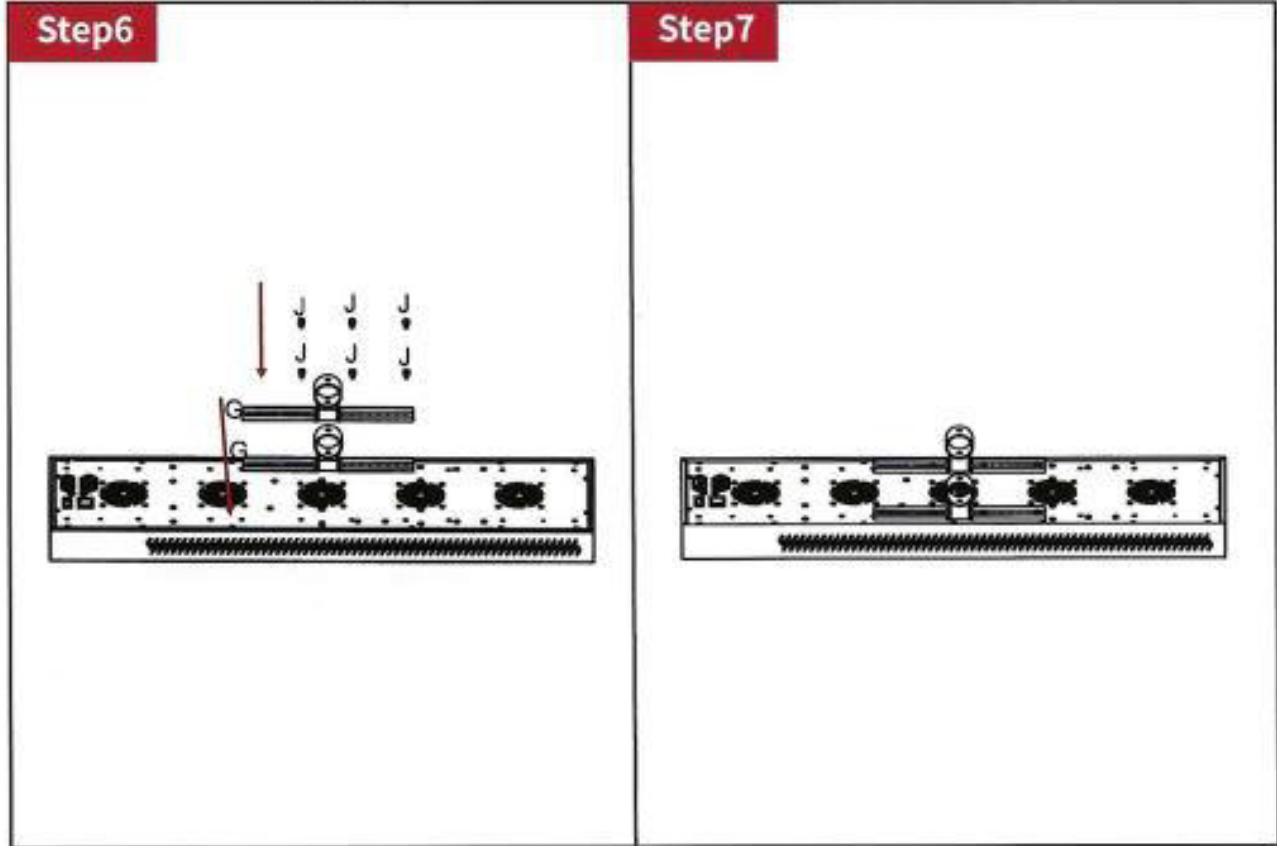


Step5

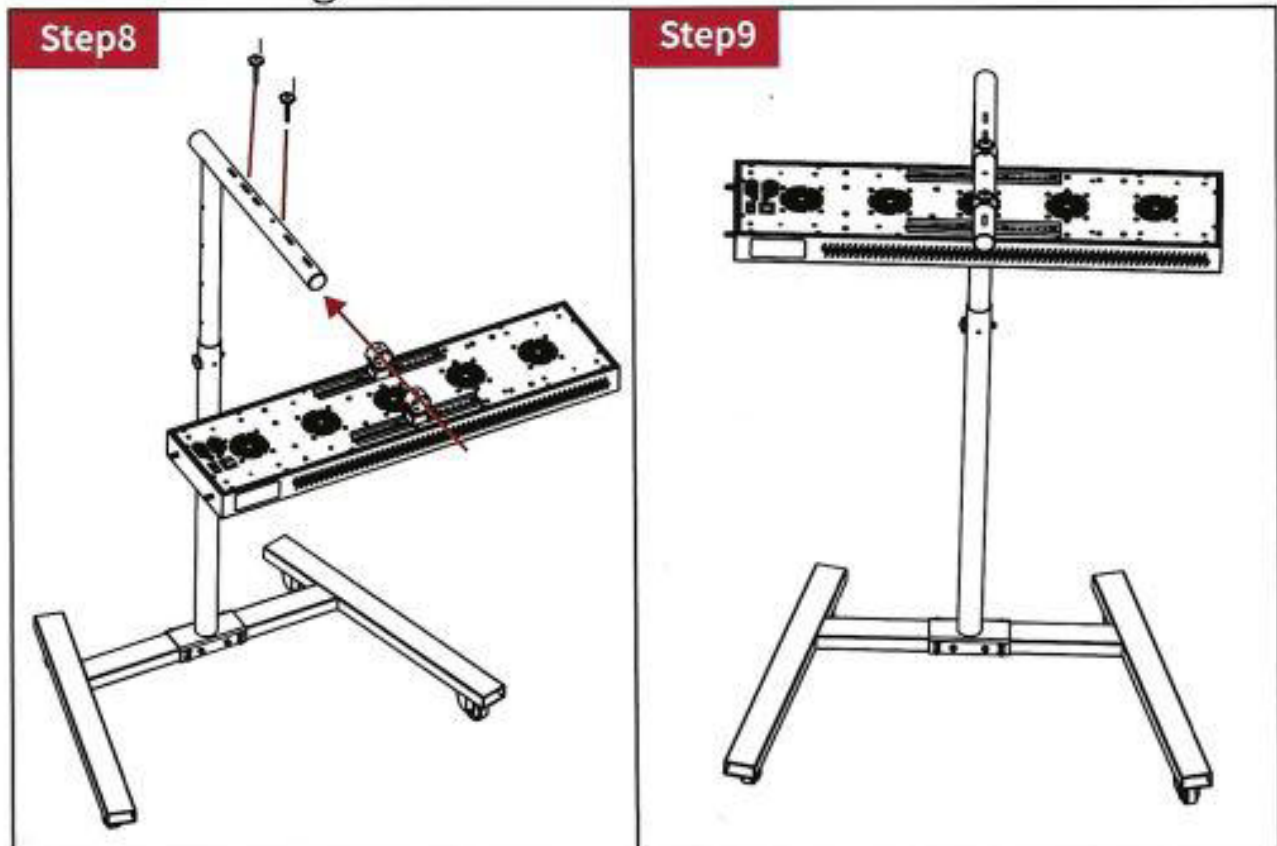
Ensure the screws are secured firmly



Side Mounting

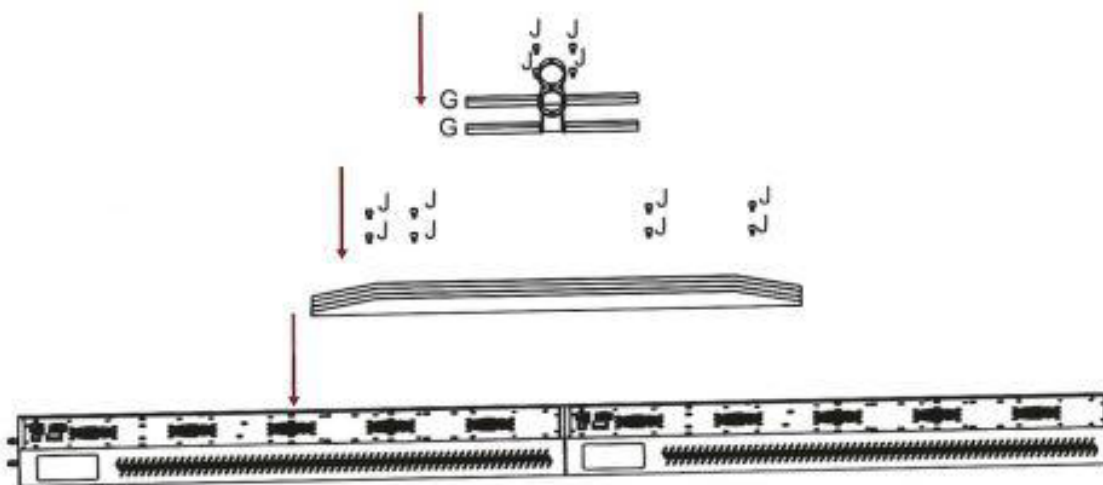


Install 1 unit light on the stand

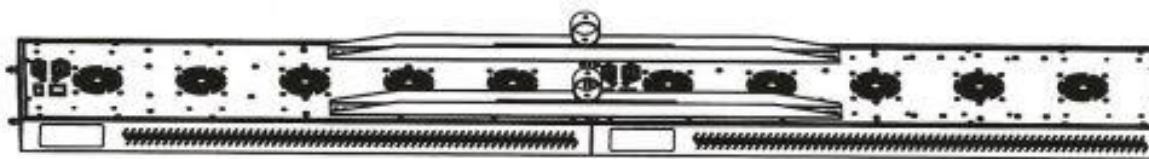


Horizontal Mounting

Step10

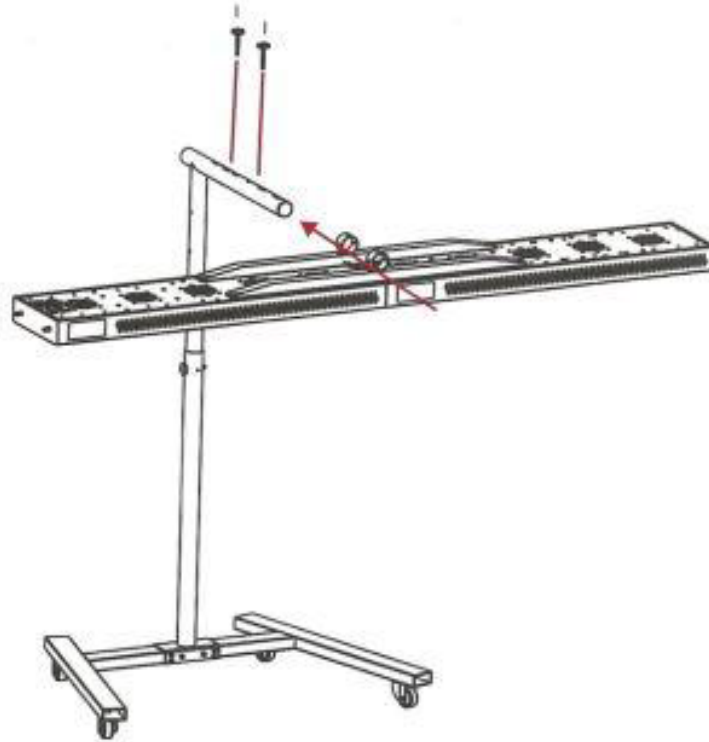


Step11

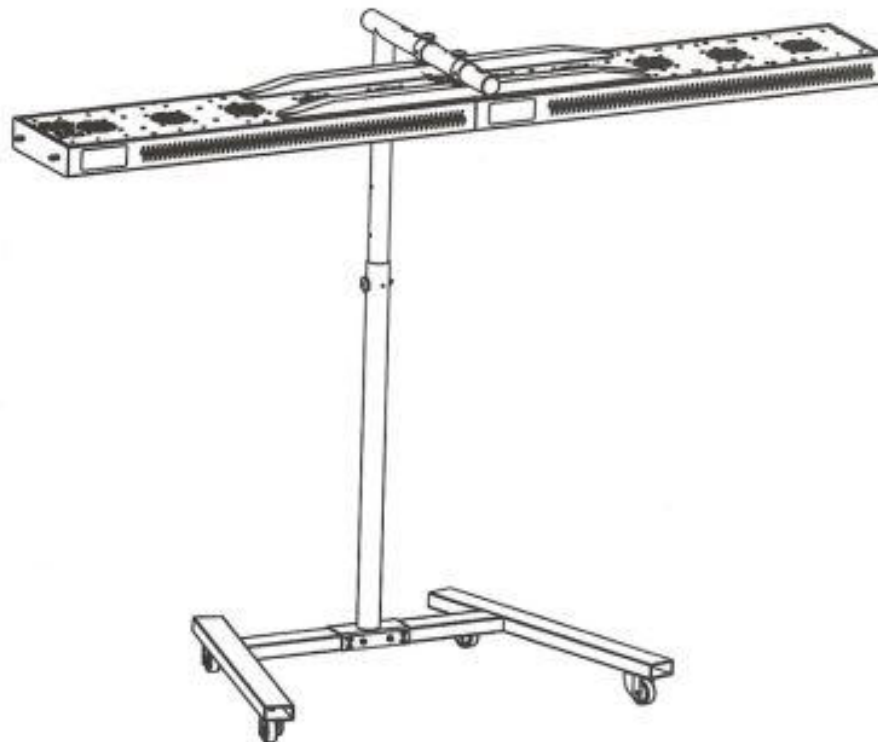


Install 2 units lights on the stand

Step12

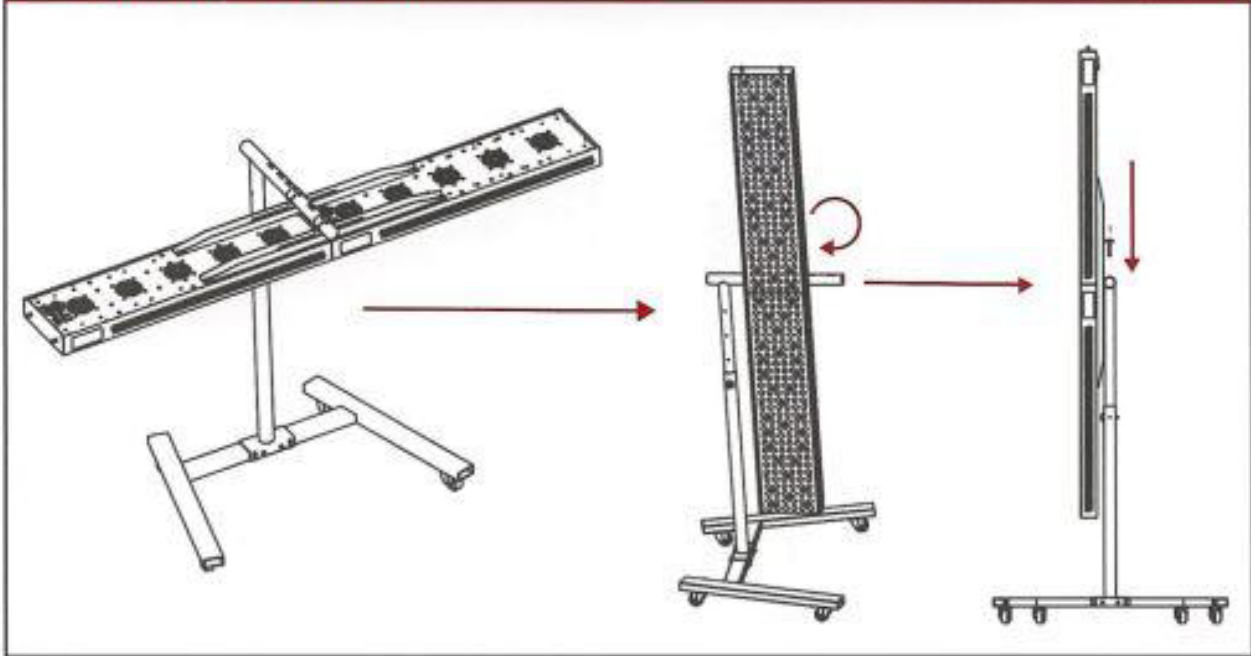


Step13

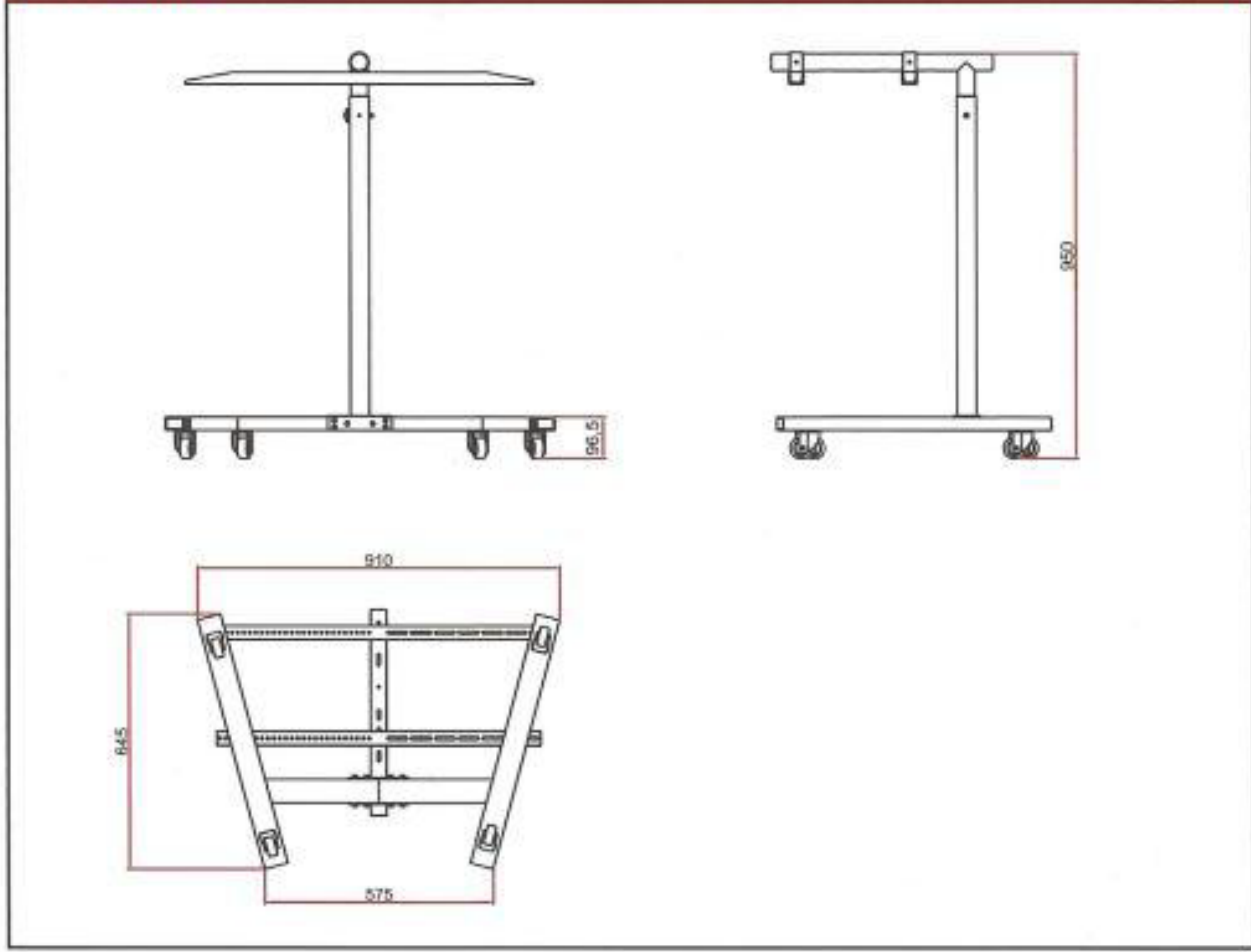


Vertical Mounting

Horizontal to vertical



Dimensions





www.mitoredlight.com



User Manual and Instructional Videos

This user manual and instructional videos can be found here:

<https://mitoredlight.com/pages/user-manual>

FOLLOW US!

 /mitoredlight

 /mitoredlightofficial

 @MitoRedLight

 @mitoredlightofficial